

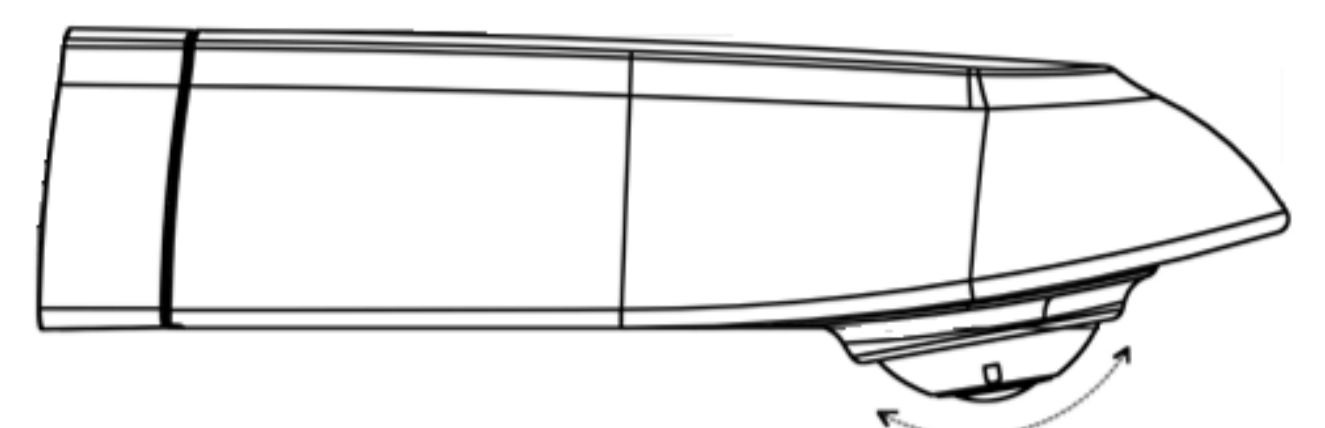
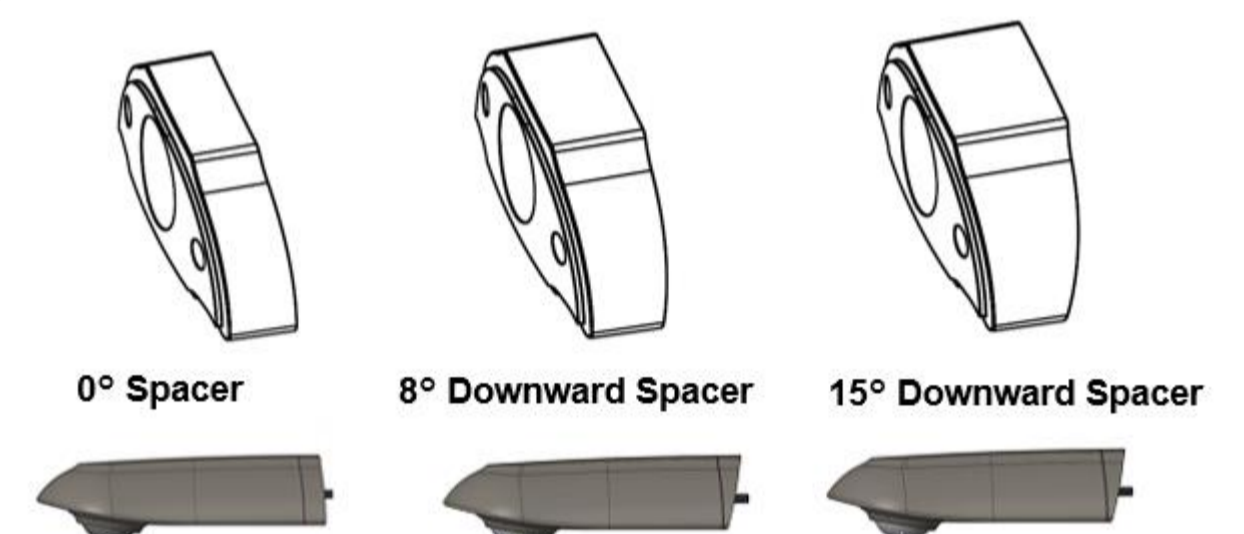
## FEATURES

- 2.07 Mega pixels Full HD SONY CMOS Color camera
- 1/2.8" Color CMOS high resolution image sensor (STARVIS)
- HD-TVI 1080P/30fps
- IP69K Waterproof Rating
- Diagonal 200° Viewing angle
- Normal/Mirror Image adjustable
- Ultra low light performance
- Automatic Electronic Iris
- Built-in Microphone (for one-way Audio)
- Temperature Range -40°C to +80°C
- Vibration resistant (10G)
- Waterproof screw type connector, 4-pin mini-DIN
- Various spacers for optimal alignment (0 degree, -8 degree, -15 degree)
- ECE R10.05 approved (EMC)
- ECE R46 Class V and Class VI approved (only with MXN10Q-TVI monitor or MXN10-TVI monitor)



## Specifications

Image Sensor	1/2.8" Sony CMOS Sensor (STARVIS)
Effective Pixels	2.07 Mega pixels, 1920(H) x 1080(V)
Resolution	1080 TV lines
Scanning System	Progressive
Video Output	HD-TVI 4.0, 1080P/30fps
Audio Input	High Sensitive C-Microphone
S/N Ratio	More than 48dB (at minimum AGC gain)
Lens Distortion Correction	Horizontal correction only
Lens	200° (Diagonal), 175° (Horizontal), 97° (Vertical)
Minimum Illumination	0.5 Lux (50IRE)
Power Consumption	DC 12V, 100mA
Power Range	DC 9V ~ DC 48V
Operating Temperature	-40°C to +80°C
Dimensions	91.7(W) x 170.5(D) x 42(H) incl. Bracket
Weight	Approx. 107g (total weight incl. bracket : 290g)



±30° Adjustment Range of Camera