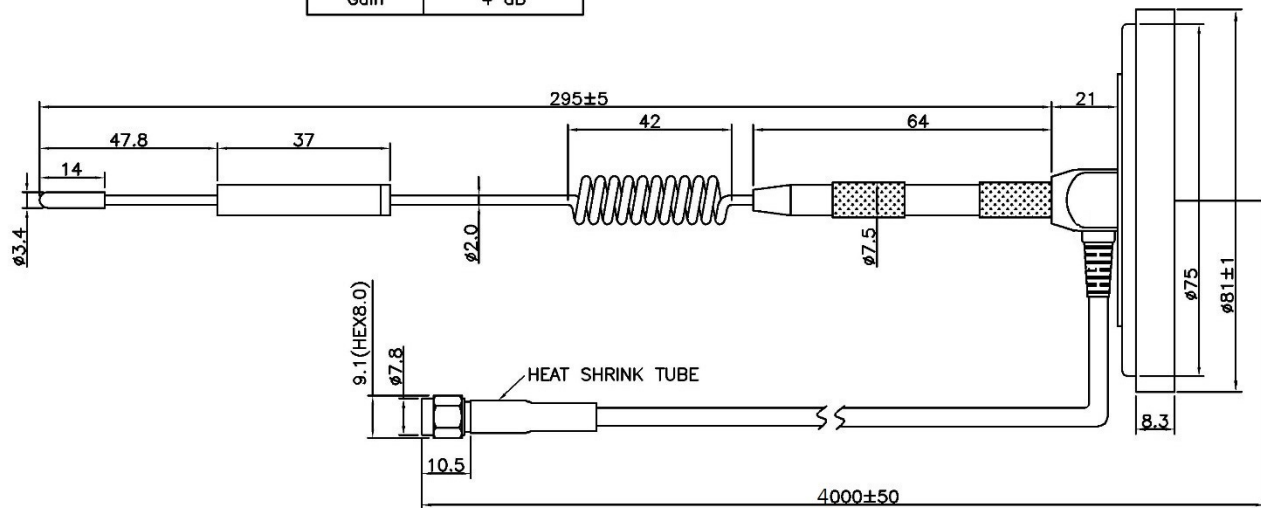


Cable	MR 195
OD	$\phi 5.0 \pm 0.15 \text{mm}$
Cover	Black
SMA M	Gold-plated

Frequency	690~960MHz
	1710~2170MHz
	2.5G~2.7G
	3.3G~3.8G
V.S.W.R	2.2:1
Impedence	50 Ω
Gain	4 dB

ROHS

150 9001
150 14001



Material:		Treatment:		TRANSVOICE			
Drawer	Design	Aprov	Tolerance	Unit: mm		TITLE	C01B+M98+MR195+SMA M
			X=±0.5	Ver: A	Scale 1:1	Model NO	
			X=±0.2	File NO: QR0402		Drawing NO	
			.XX=±0.1				
			.XXX=±0.05				

NO	DESCRIPTION	MATERIAL / FINISH	Q'TY
Part NO			