

# Specification

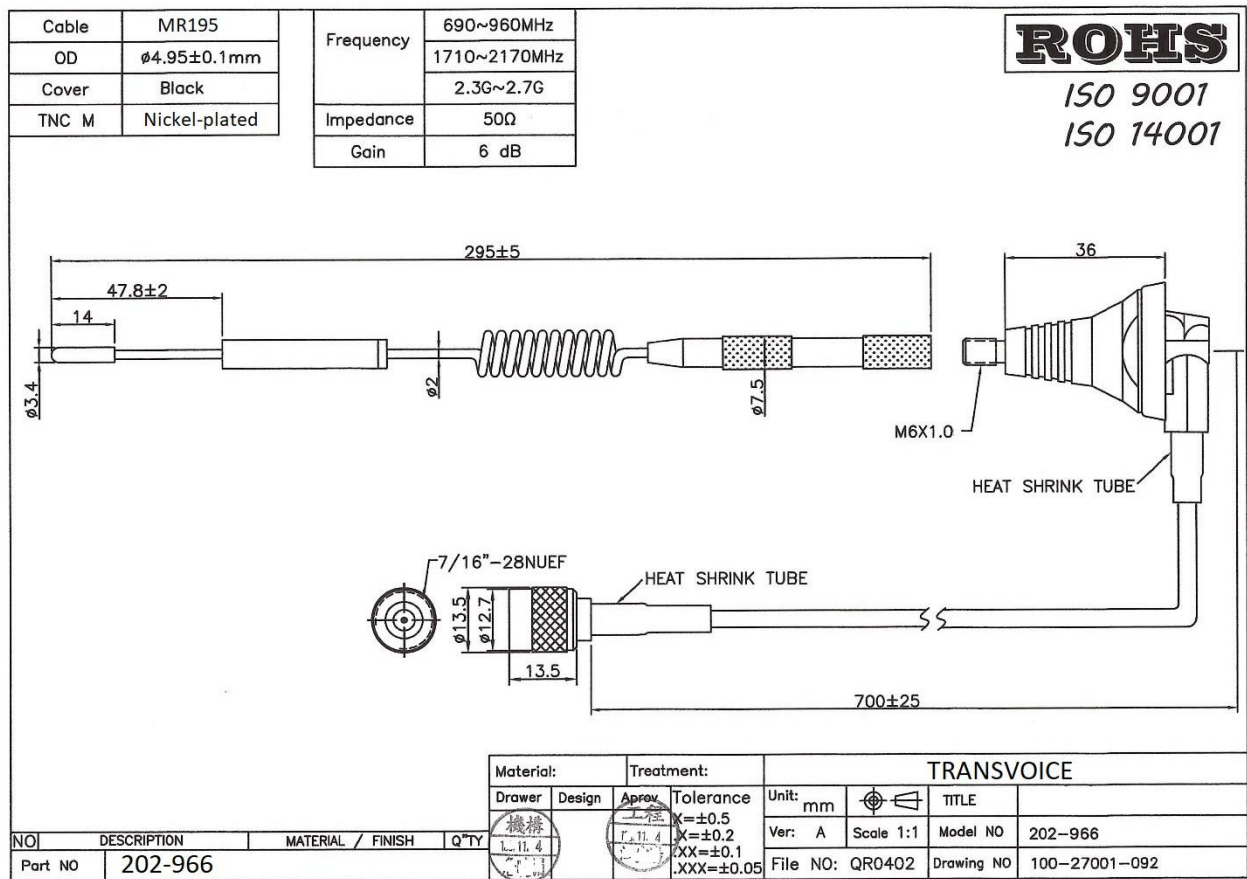
1. Product Type: 4G/LTE Antenna

2. Part No:202-966

3. Frequency: 690~2700 MHz

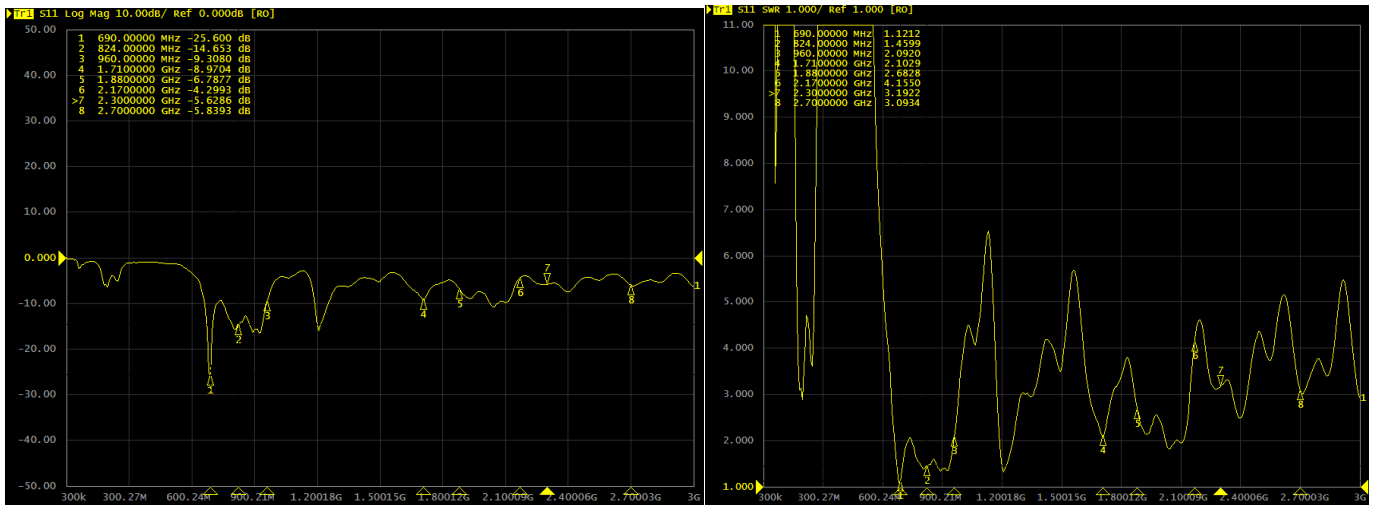
4. Connector & Cable: TNC M & MR195

※RoHS Compliant



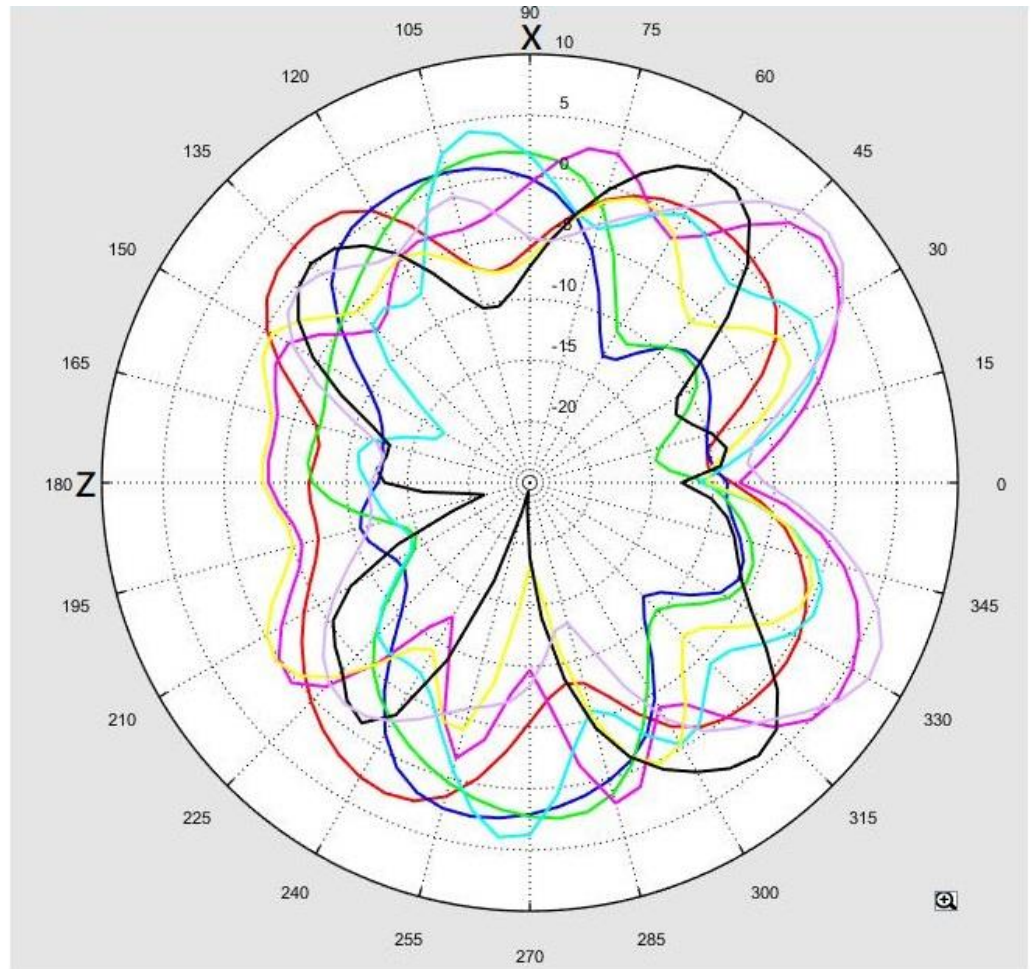
Frequency (MHz)	Return Loss (dB)	VSWR	Efficiency (%)	GAIN (dB)
690	-25.60	1.12	81.1	2.81
824	-14.65	1.45	64.42	2.67
960	-9.30	2.09	73.79	3.66
1710	-8.97	2.10	99.54	6.12
1880	-6.78	2.68	74.47	3.76
2170	-4.29	4.15	35.89	-0.14
2300	-5.62	3.19	59.43	4.44
2700	-5.83	3.09	79.62	7

### Test Data (Return Loss & VSWR)

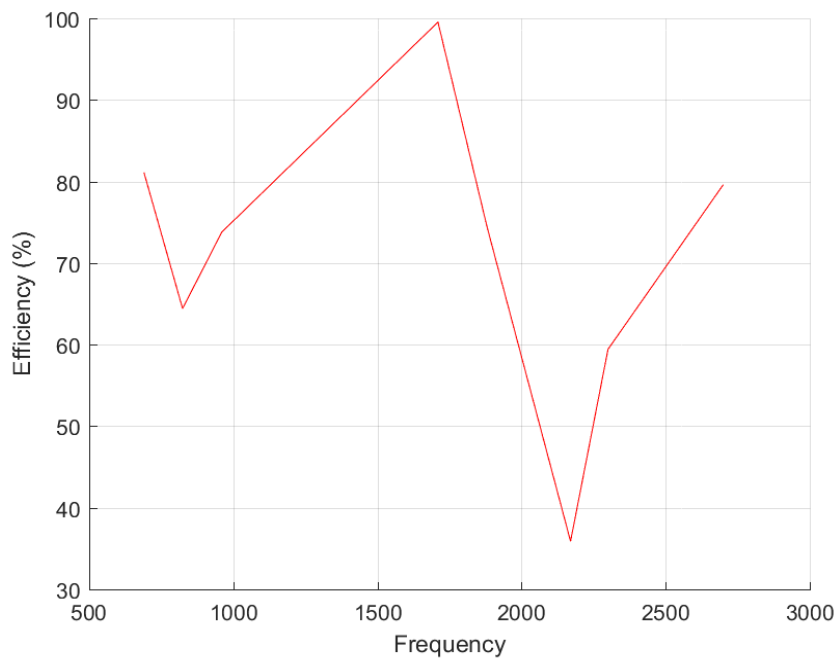


# 3D Test Data

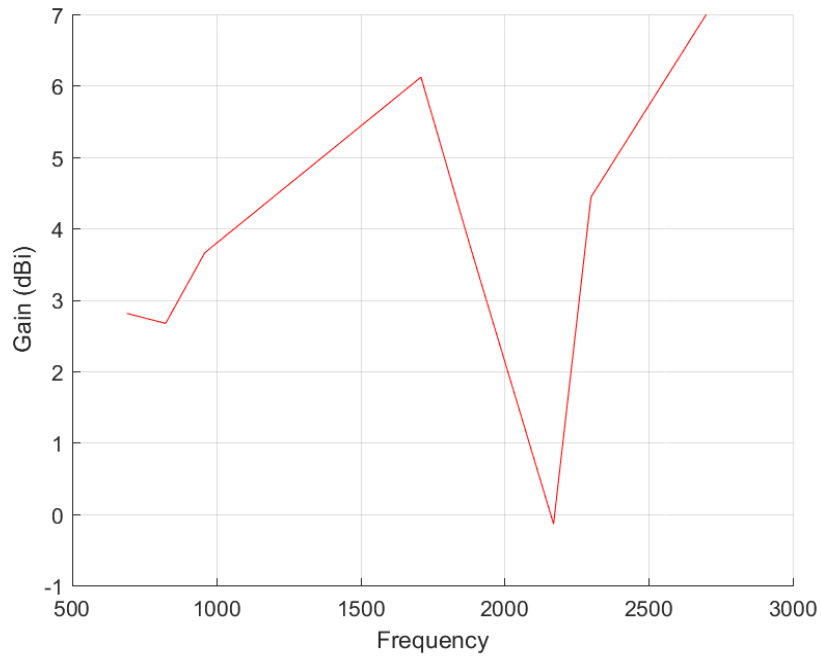
Freq. / Chan.	Color
690MHz	Red
824MHz	Blue
960MHz	Green
1.71GHz	Magenta
1.88GHz	Cyan
2.17GHz	Yellow
2.3GHz	Black
2.7GHz	Purple



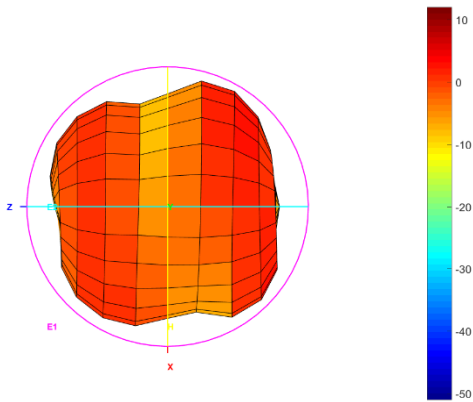
Total\_Efficiency (%)



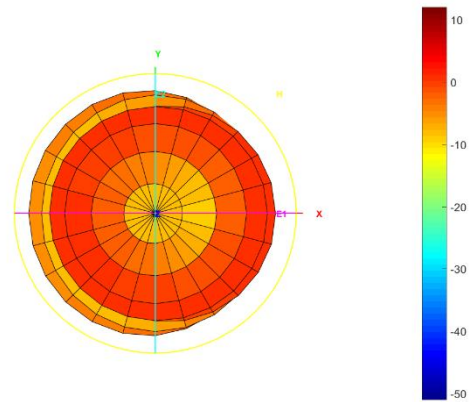
# Total\_Gain (dBi)



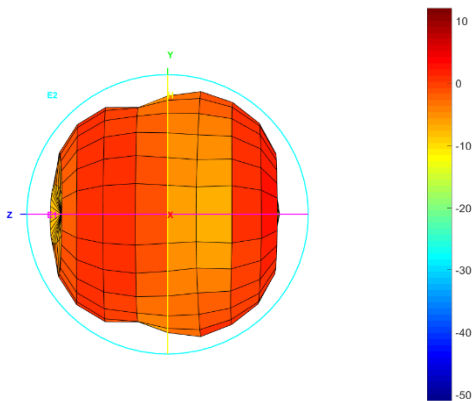
Total\_3D\_Top View\_690MHz



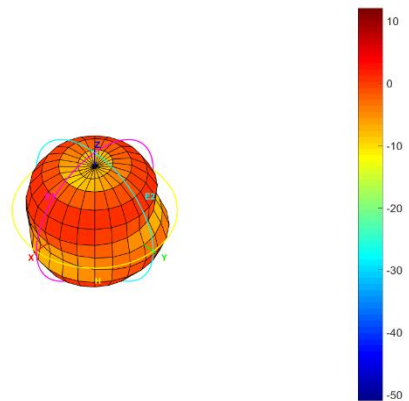
Total\_3D\_Front View\_690MHz



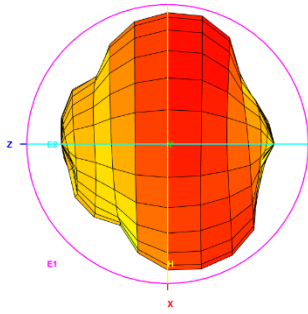
Total\_3D\_Left View\_690MHz



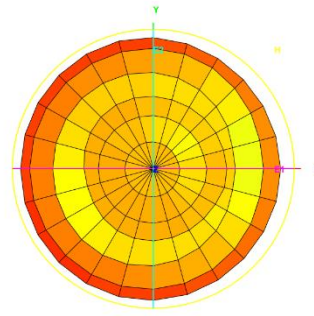
Total\_3D\_Side View 1\_690MHz



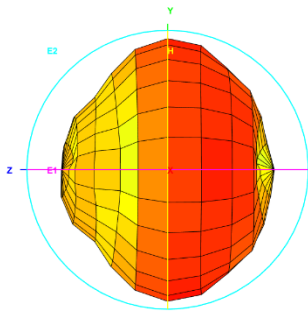
Total\_3D\_Top View\_824MHz



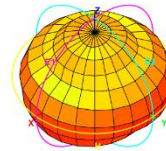
Total\_3D\_Front View\_824MHz



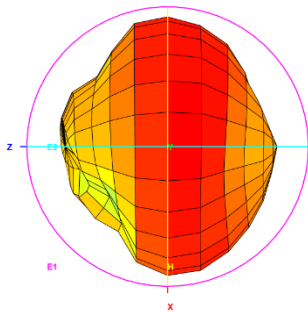
Total\_3D\_Left View\_824MHz



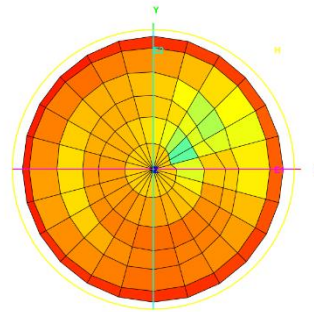
Total\_3D\_Side View 1\_824MHz



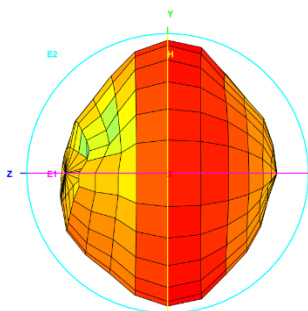
Total\_3D\_Top View\_960MHz



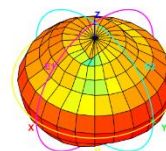
Total\_3D\_Front View\_960MHz



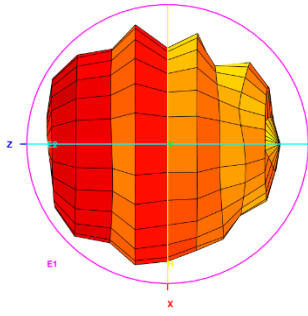
Total\_3D\_Left View\_960MHz



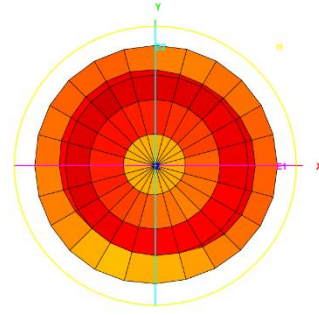
Total\_3D\_Side View 1\_960MHz



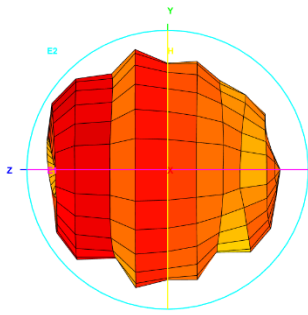
Total\_3D\_Top View\_1.71GHz



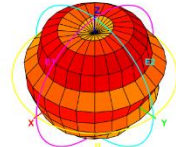
Total\_3D\_Front View\_1.71GHz



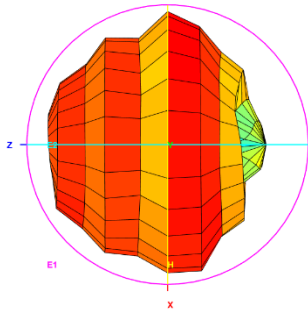
Total\_3D\_Left View\_1.71GHz



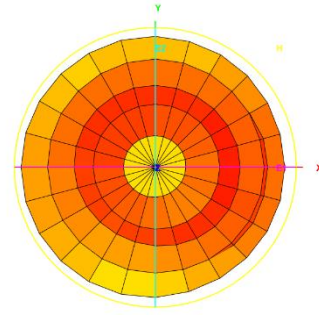
Total\_3D\_Side View\_1.71GHz



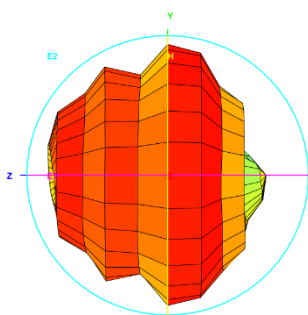
Total\_3D\_Top View\_1.88GHz



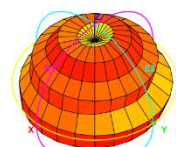
Total\_3D\_Front View\_1.88GHz



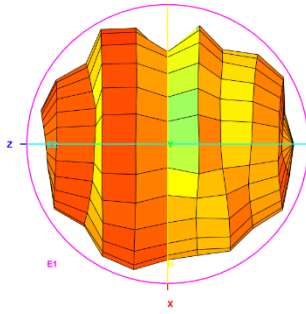
Total\_3D\_Left View\_1.88GHz



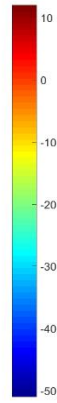
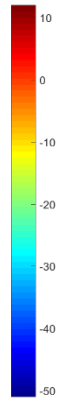
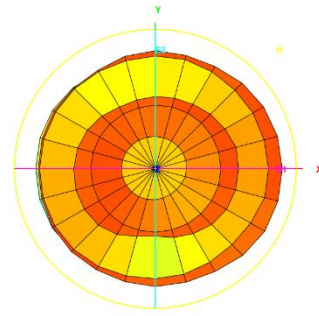
Total\_3D\_Side View\_1.88GHz



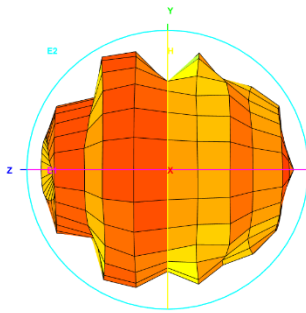
Total\_3D\_Top View\_2.17GHz



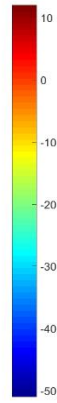
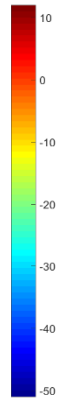
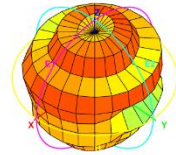
Total\_3D\_Front View\_2.17GHz



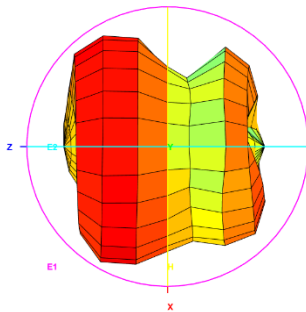
Total\_3D\_Left View\_2.17GHz



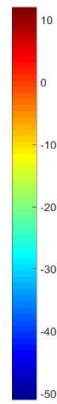
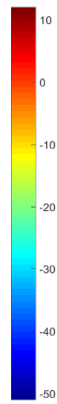
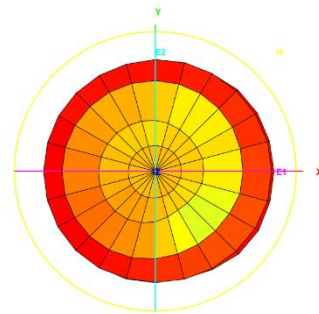
Total\_3D\_Side View 1\_2.17GHz



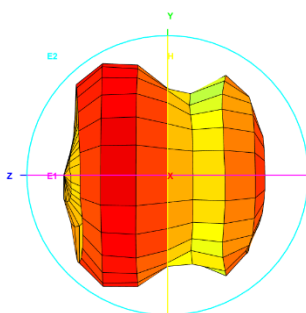
Total\_3D\_Top View\_2.3GHz



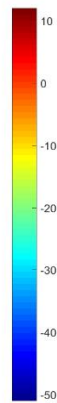
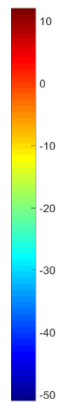
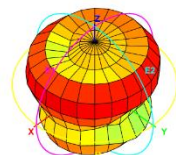
Total\_3D\_Front View\_2.3GHz



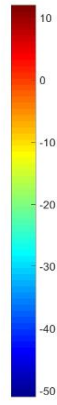
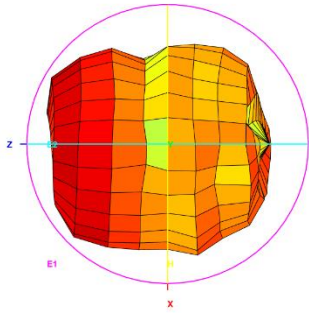
Total\_3D\_Left View\_2.3GHz



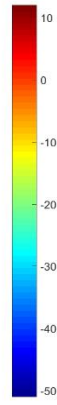
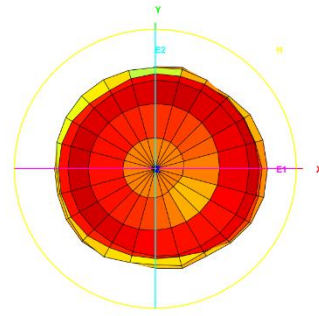
Total\_3D\_Side View 1\_2.3GHz



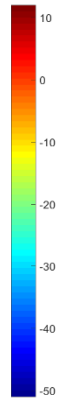
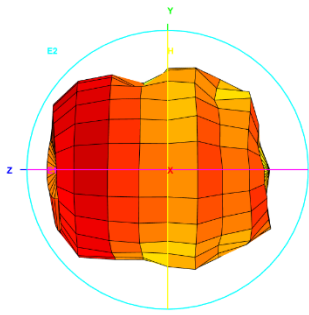
Total\_3D\_Top View\_2.7GHz



Total\_3D\_Front View\_2.7GHz



Total\_3D\_Left View\_2.7GHz



Total\_3D\_Side View 1\_2.7GHz

