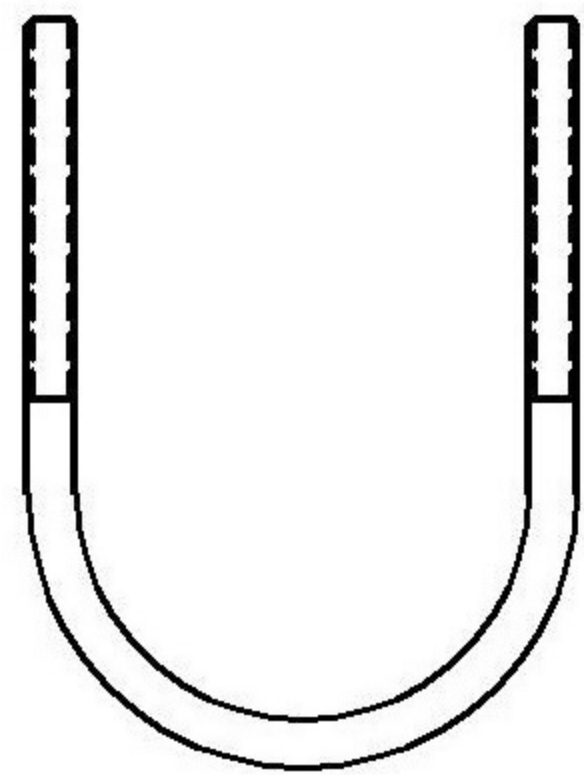
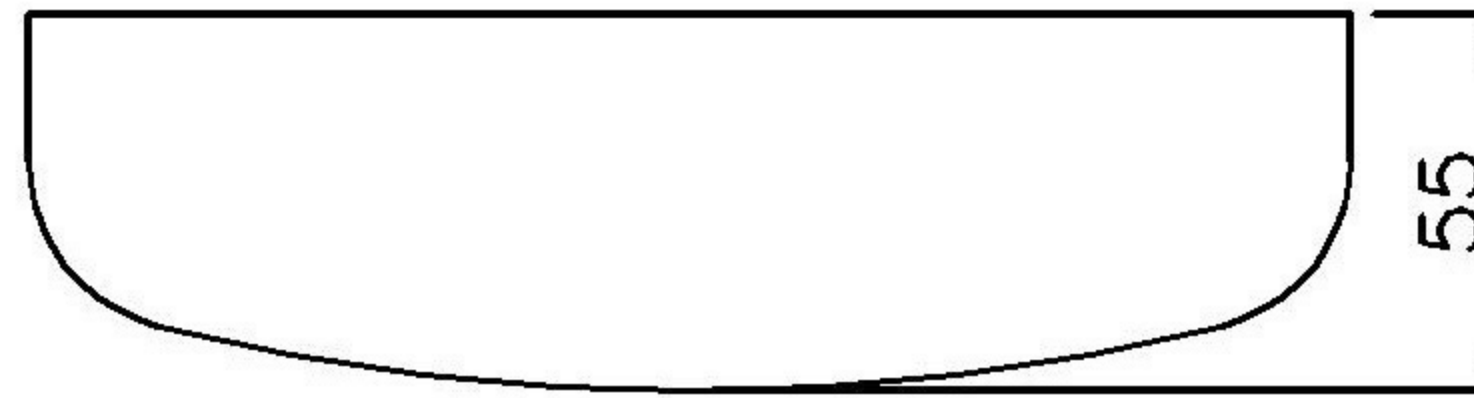


Cable	RG402
OD	∅4.3±0.1mm
Cover	Blue
Radome color	White
SMA M	Gold-plated

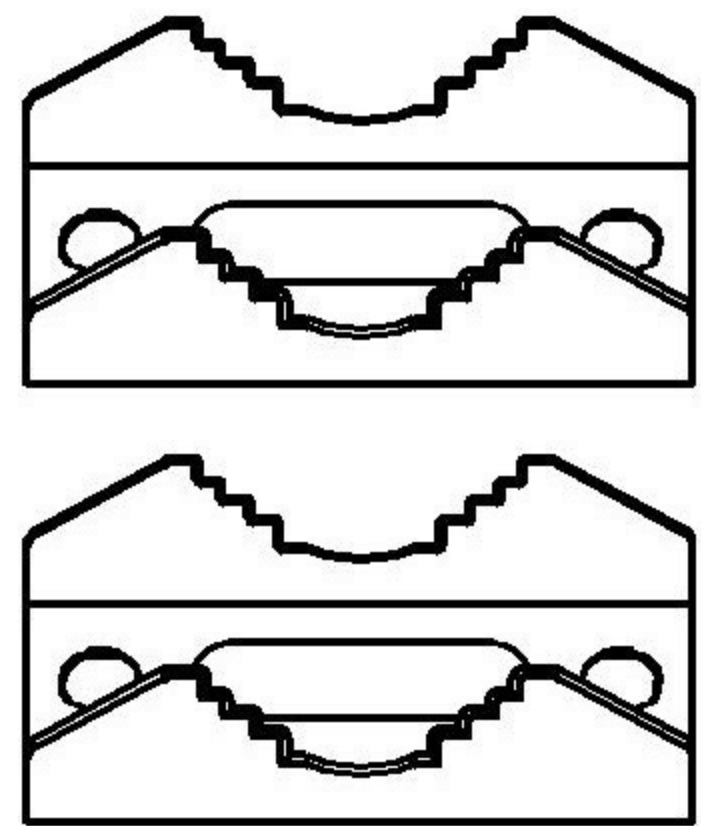
Frequency	690~6000MHz
Gain	3~9dB
VSWR	2.0:1
Impedance	50Ω

ROHS
ISO 9001
ISO 14001

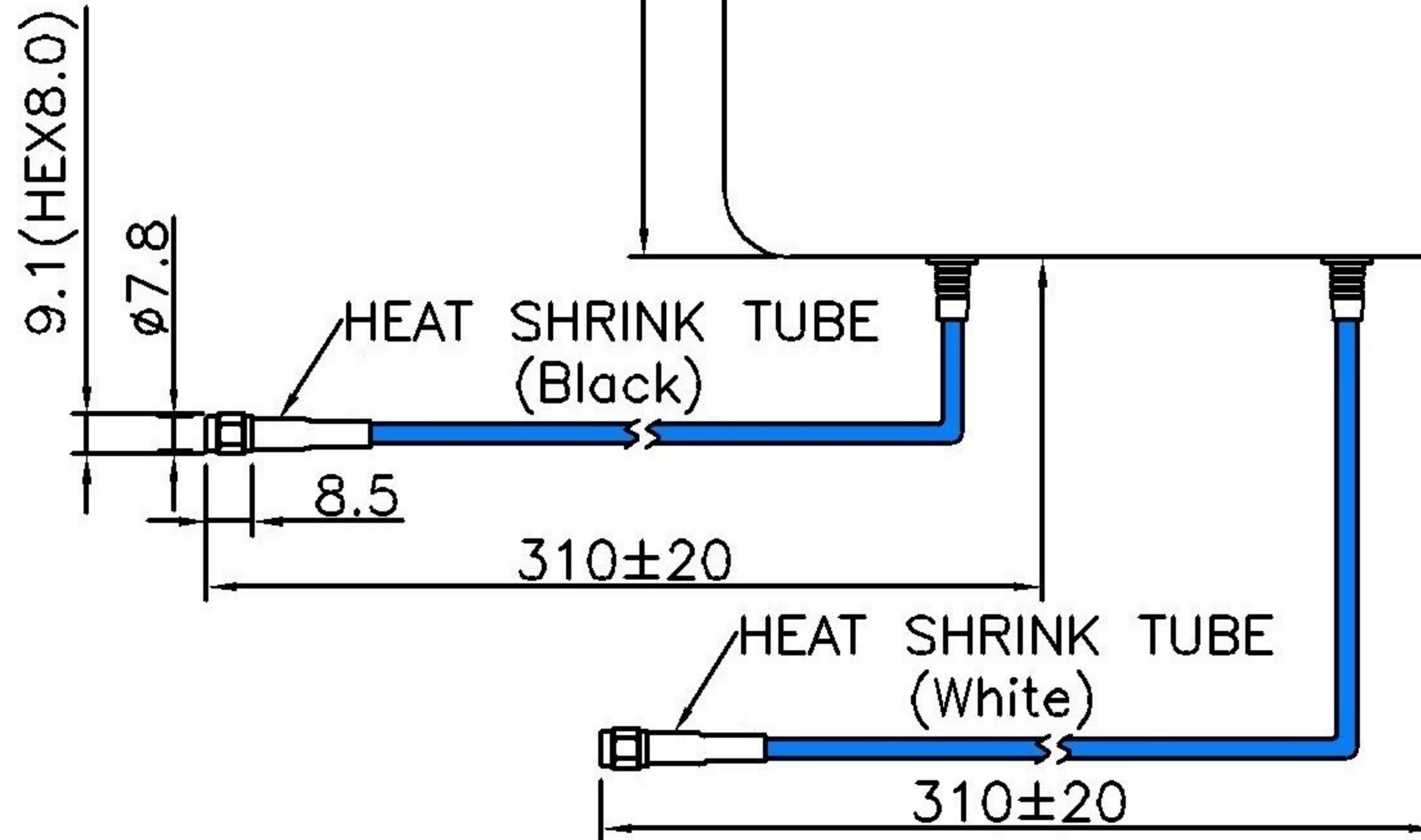
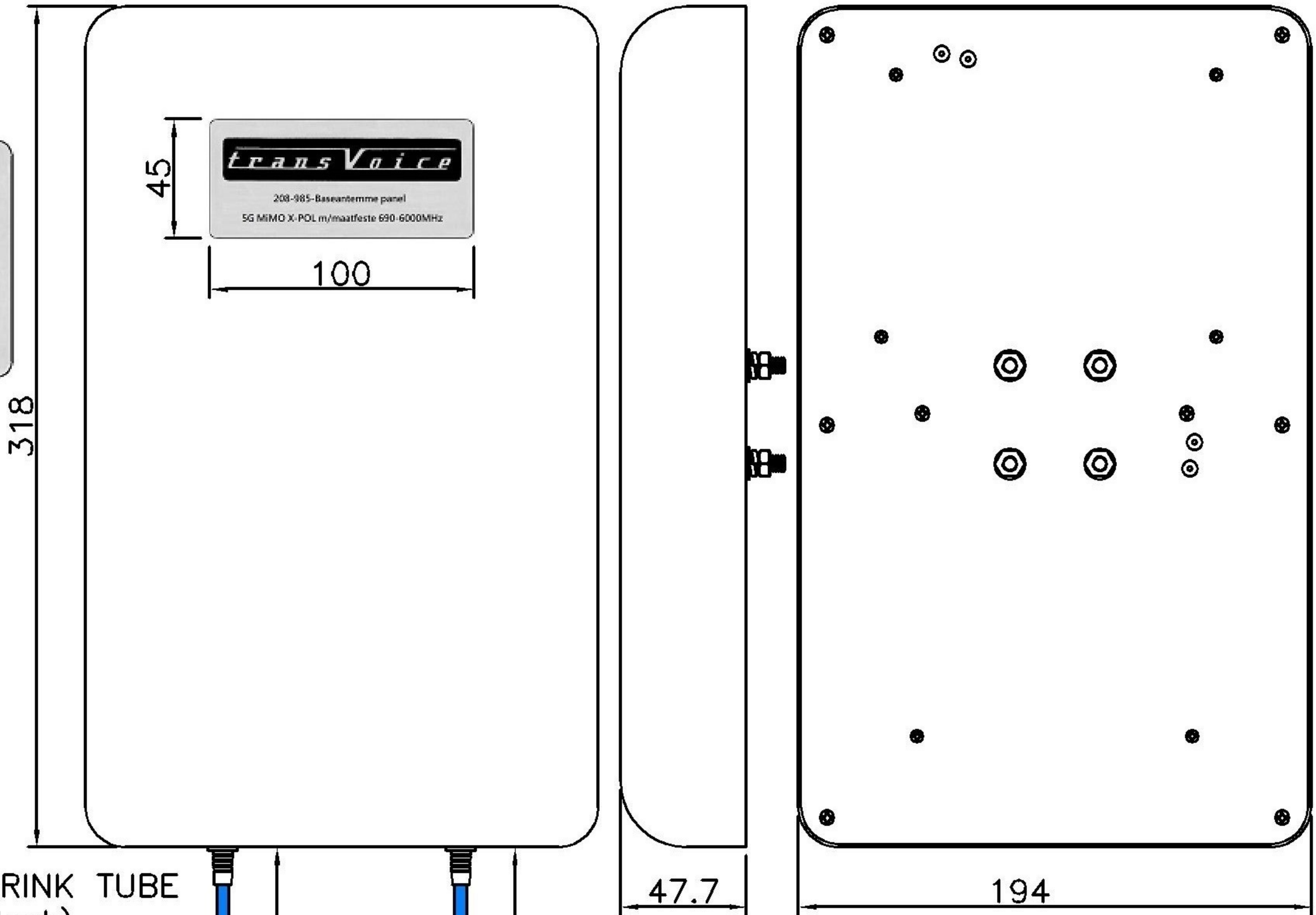
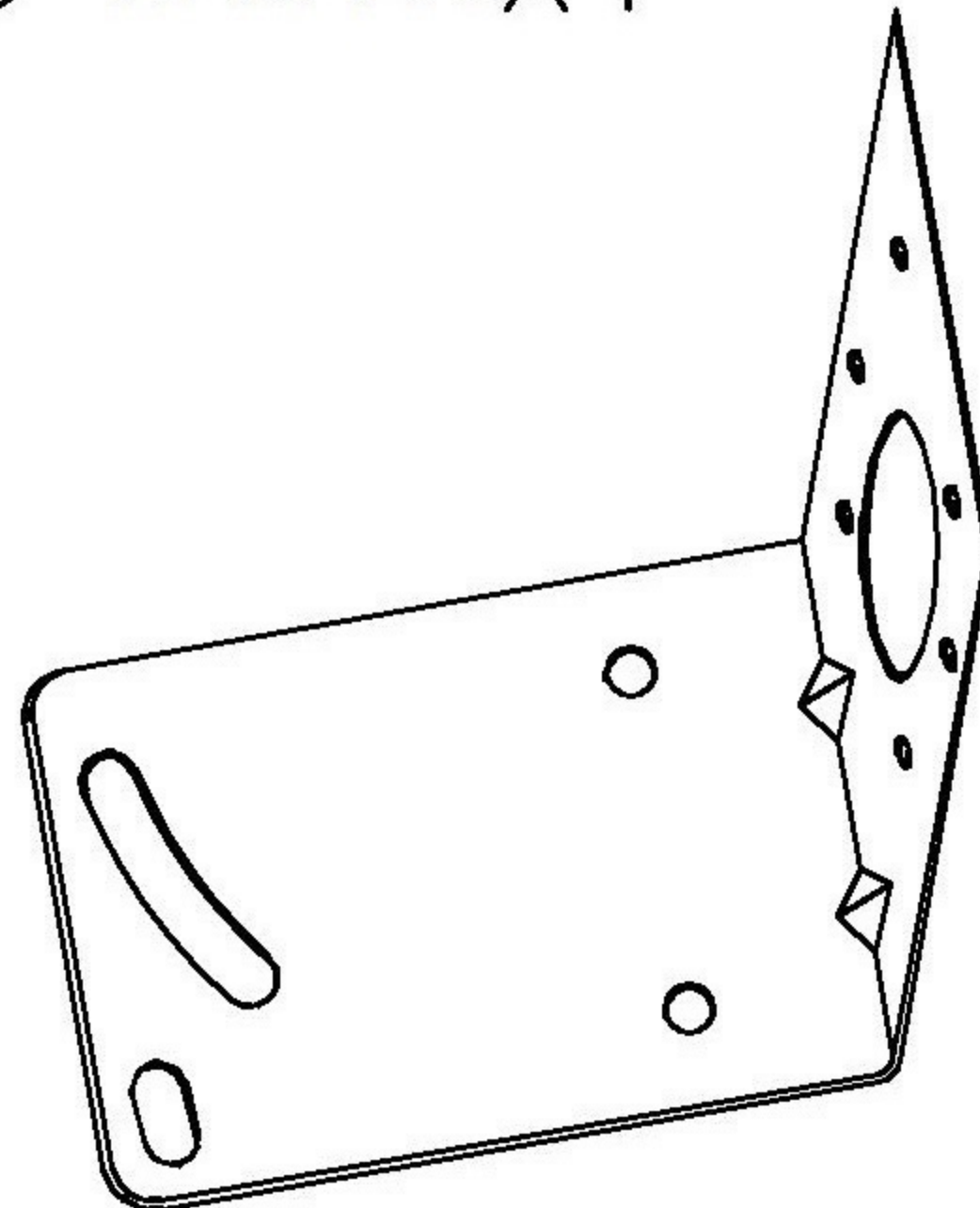


- NUT X4
- GASKET X4
- WASHER X4

U BOLT X2



FASTENING BRACKET



Material:		Treatment:		TRANSVOICE			
Drawer	Design	Aprov	Tolerance	Unit: mm		TITLE	PANEL ANTENNA
			X=±0.5 .X=±0.2 .XX=±0.1 .XXX=±0.05	Ver: A	Scale 1:1	Model NO	208-985
NO	DESCRIPTION	MATERIAL / FINISH	Q'TY	File NO: QR0402		Drawing NO	
Part NO	208-985						