
1080P Full HD Real -Time POE Underwater PTZ Marine Camera # D10007

Application: All the underwater environment, specially for the marine and the swimming pool.

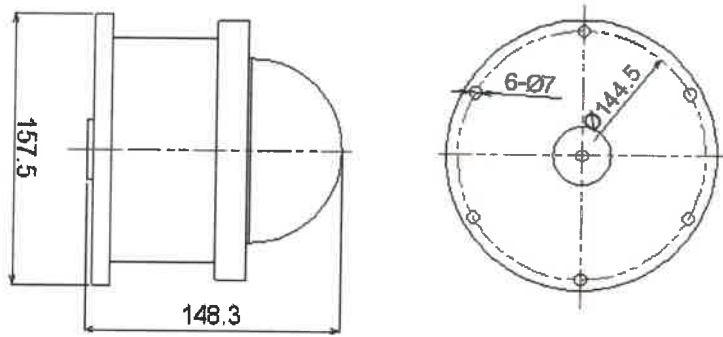


Main technology advantage:

1/2.7 inch 2Megapixel progressive scan SONY CMOS
25/30fps@1080P(1920x1080) & 25/30fps@720P(1280x720)
IP68, POE Max. water depth: 80m
Focus f=3.8-38mm(F 1.8-3.2)10X10 zoom
Multiple network monitoring: Web viewer, CMS
Max.128 preset.support preset recover if power off or dislocationHousing material: stainless steel 316L
Attachment bar: adjustable by 180
Toughened safety glass (ESG)
TVS lightning protection to avoid 1.5KW thunderstrike

***Patent Pending Design ***

Dimension Size:



Side View:



***Patent Pending Design ***

Detail Spec:

Item	D10007	
Camera Type	2.0MP real-time underwater IP PTZ Camera	
Camera	Image Sensor	1/2.7" 2MP Aptina CMOS
	Effective Pixels	1920(H)x1080(V)
	Day/Night	keep color
	Min.Illumination	Color 0.1Lux/F1.4
	Electronic Shutter	1/50(1/60)s-1/100,000s
	Lens	3.8-38mm(F 1.8-3.2)10X10 zoom
	Lens Mount	M12/CS Mount
	Material	stainless steel 316L
	Water depth	80M
	IR-LED	N/A
Compression	Illuminate Distance	N/A
	Compression Standard	H.264 Main Profile / MJPEG
	Video Frames	Real-time PAL/NTSC 2MP@1~30FPS
	Video stream output	Support adjustable stream 0.1M ~ 6Mbps
Image	Quality	3D-DNR,BLC,AWB,auto ISO
	Resolution	Main Stream: 1920×1080 30fps(2MP),1280×720(1MP) 30fps Sub Stream:640×360,720×480(1-30fps)
Network	Parameter Settings	WEB configure and OSD supported, Real time recording, Transmission and playback
	Basic Protocol	Dual stream, Password protection HTTP/Onvif/DHCP/DDNS/NTP
	Alarm	Support Motion Detection, Linkage Alarm, Linkage recording, Sensor trigger alarm functions
Interface	Video Output	RJ45
	Network Interface	1 RJ45 Ethernet interface, 10/100M adaptation
PTZ	Pan / tilt	Pan 360 degree , Tilt 90degree ;Tilt 0-90degree/s; Pan 200degree/s
	Manual Speed	0.5360/s ~360 /s continuously adjustable
	Work Environment	-10°C- +60°C
Other	Waterproof Criterion	IP68
	Power Supply	POE IEEE802.3at/af
	Size	15.8x15.8x15cm
	Cable	CAT6 100M Max . Material:Six four double shielded twisted pair, Outer sheath HNBR,Inner Sheath Double PVC
	Net Weight	N.W.5kg +cable 0.12kg/m

*Patent Pending Design *