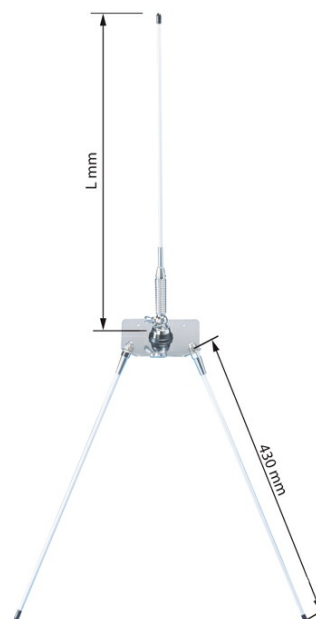


1/4 λ Glass fiber Motor Cycle Antenna with Shock Spring for the 160 MHz Band

DESCRIPTION

- MCA 1-Z/... is a glass fiber ground-plane antenna type with 2 radials, ideal for a motor cycle.
- Sturdy, general-purpose 1/4 λ ground-plane antenna in professional quality.
- Stainless steel Z-mount with ball-joint and hat screw whip-fastening system.
- Simple mounting by the Z-mount with FME-connection (supplied without cable).



ORDERING

Type	Product No.	Description	Frequency
MCA 1-Z/l	130000674	LENGTH: 470 mm	136 - 160 MHz
MCA 1-Z/h	130000680	LENGTH: 430 mm	150 - 174 MHz

SPECIFICATIONS

Electrical	
Model	MCA 1-Z/...
Frequency	136 - 174 MHz in two models
Antenna Type	Ground-plane
Max. Input Power	150 W
Polarisation	Vertical
Impedance	50 Ω
VSWR	< 1.3:1 @ f.res.
Gain (EIA RS-329-1)	0 dB
Mechanical	
Materials	Whip: Conical glass fiber Chromed brass Spring: Stainless steel Mount: Chromed brass Weather- and shockproof plastics Stainless steel
Colour	White/bright chrome
Height	900 mm / 35.43 in.
Weight	0.5 kg / 1.10 lb
Mounting	On the back of a motor cycle

ADDITIONAL DATA

FME-SYSTEM ACCESSORIES

FME-CABLES	
TYPE	LENGTH
1 m FME	1 m
2 m FME	2 m
3 m FME	3 m
4 m FME	4 m
5 m FME	5 m
6 m FME	6 m
4 m FME-white	4 m white
6 m FME-white	6 m white
12 m FME-white	12 m white
18 m FME-white	18 m white

FME-CONNECTORS	
TYPE	CONNECTOR
FME-FME	FME-FME
FMEP	Prolongation
FME-N	N
FME-FSMA	FSMA
FME-BNC	BNC
FME-TNC	TNC
FME-UHF	UHF
FME-MUHF	Mini-UHF
FME-EMUHF	Elbow-MUHF
FME-EBNC	Elbow-BNC
FME-ETNC	Elbow-TNC
FME-SMA	SMA

For further information about other types of FME-cables and FME-connectors, please compare the cable and connector data sheets under accessories in our catalogue.