

Relay switch for 12 V supply

DESCRIPTION

- Relay switch has a connection to SHIFT RELAY, at 3 V.
- Great isolation 50 dB @ 500 MHz.
- Low insertion loss 0.2 dB @ 500 MHz.
- PRO-1REL-12V-... is a broadband SPDF Coaxial switch designed to switch RF signal from a common input to either of two outputs. The characteristic impedance is 50 ohms.
- PRO-1REL-12V-... is available with TNC-, N- or BNC-female connectors.



SPECIFICATIONS

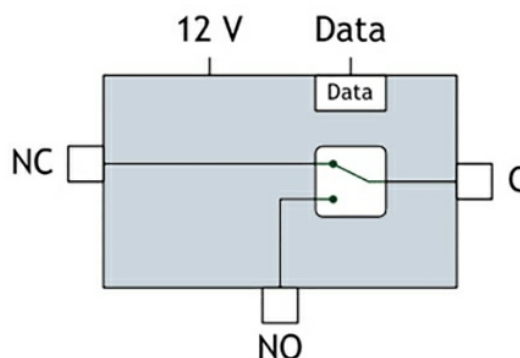
Electrical	
Model	PRO-1REL-12V-...
Frequency	< 500 MHz
Type	Relay
Max. Input Power	50 W
Insertion Loss	< 0.2 dB
Isolation	> 50 dB
VSWR	< 1.25:1 (100 - 400 MHz) < 1.5:1 (400 - 500 MHz)
Shift Voltage (Data)	3V → supply voltage
Supply Voltage DC	11.5 V to 15 V
Current Consumption	< 20 mA
Shift Time	< 5 ms

Mechanical	
Connection(s)	N(f), BNC(f) or TNC(f)
Dimensions	89 x 40 x 29 mm / 3.5 x 1.57 x 1.14 in. (incl. connectors)
Weight	0.15 kg / 0.33 lb.
Mounting	ø3.2 mm (4 holes)

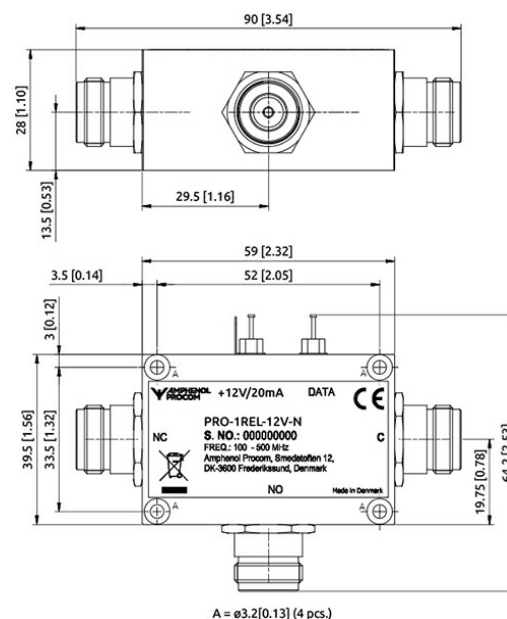
ORDERING

Model	Product No.
PRO-1REL-12V-TNC	210001450
PRO-1REL-12V-N	210001615
PRO-1REL-12V-BNC	210001822

FUNCTIONAL DIAGRAM



MOUNTING DETAILS



All dimensions are given in mm [in.]

