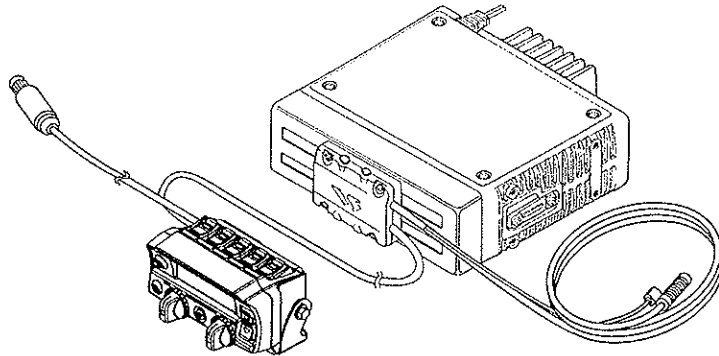




# RMK-5000B Remote Mounting Kit



## INTRODUCTION

The **RMK-5000B** allows operators using the **VX-4000/5500/6000** Mobile Transceivers to mount the Transceiver in a remote location, while keeping the optional **CNT-5000** control head nearby for convenient operation.

## SUPPLIED ITEMS

You should find the following items shipped with the **RMK-5000B**:

Transceiver Adapter Assy .....	1 pc
Cable Stress Relief Plate .....	1 pc
Connection Cable (for external PTT/Headset) .....	1 pc
Speaker Plug Strain Relief Plate .....	1 pc
Cable Ties .....	2 pcs
Screws (M4x8B) .....	4 pcs
Screws (M3x6B w/ O-Ring) .....	2 pcs

*If any items are damaged or missing, contact your dealer at once.*

## OPTIONS

<b>CNT-5000</b>	Motorcycle Mobile Control Head
<b>MH-53A8A</b>	Heavy Duty Microphone w/ Noise Canceler
<b>MLS-200</b>	External Loudspeaker

## INSTALLING THE CONTROL HEAD CNT-5000\*

1. Remove the Control Head from the bracket by removing the two hexagonal head bolts.
2. Choose a place to mount the Control Head.
3. Use the bracket as a template to mark the locations of the mounting holes.
4. Use a 5.2-mm (17/64") bit to drill the holes, and secure the bracket with (user-supplied) screws, spring washers, flat washers, and nuts (Figure 1), or drill pilot holes with a small drill, and secure the bracket with (user-supplied) self-tapping screws, spring washers, and flat washers (Figure 2).

\*: The **CNT-5000** is an optional accessory for the **RMK-5000B** Remote Mount Kit.

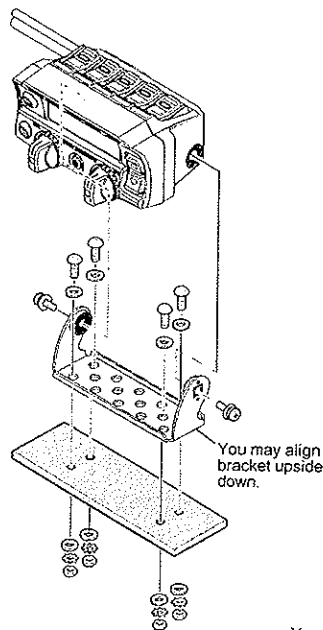
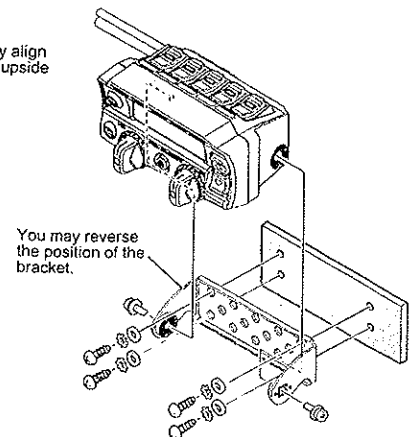


Figure 1



## VERTEX STANDARD CO., LTD.

4-8-8 Nakameguro, Meguro-Ku, Tokyo 153-8644, Japan

## VERTEX STANDARD

JS Headquarters  
10900 Walker Street, Cypress, CA 90630, U.S.A.

## YAESU EUROPE B.V.

P.O. Box 75525, 1118 ZN Schiphol, The Netherlands

## YAESU UK LTD.

Unit 12, Sun Valley Business Park, Winnall Close  
Winchester, Hampshire, SO23 0LB, U.K.

## VERTEX STANDARD HK LTD.

Unit 5, 20/F., Seaview Centre, 139-141 Hoi Bun Road,  
Kowloon, Hong Kong

## VERTEX STANDARD (AUSTRALIA) PTY LTD

## ASSEMBLING THE TRANSCEIVER ADAPTER

1. Remove the four screws affixing the Top Cover of the transceiver, and remove the Top Cover.
2. Referring to Figure 3, insert the two cables from the exposed transceiver into their mating connectors on the Transceiver Adapter Assembly.
3. Affix the Transceiver Adapter Assembly to the front of the transceiver using the two previously-removed screws (Top Side) and the supplied screws (Bottom Side: M3x6B w/O-Ring).
4. Replace the Top Cover onto the transceiver using the previously-removed screws.

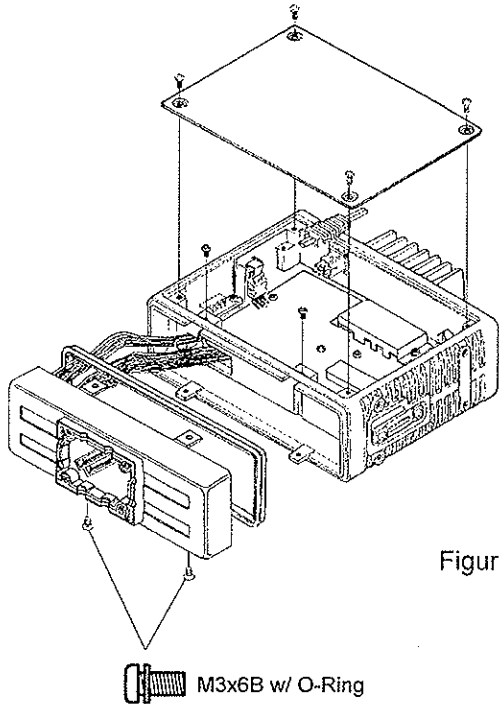


Figure 3

## INSTALLING THE CONTROL CABLE

1. Referring to Figure 4, at the transceiver end, insert the cable plug(s) into the mating connector(s) on the adapter unit.
2. Neatly bundle the exposed cable wiring, then install the cable strain relief plate and gasket into place using the four supplied screws (M4x8B).

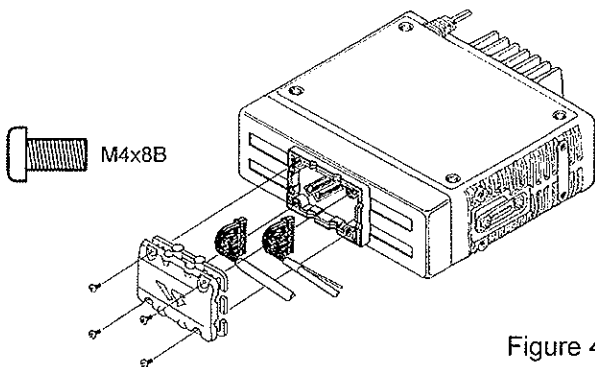
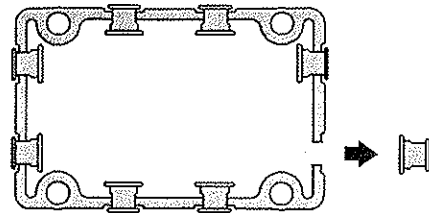


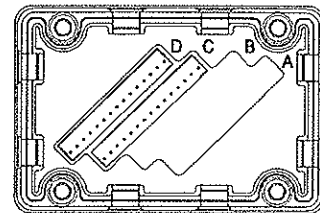
Figure 4

*Make sure that no wires stray into the screw holes, or are pinched between the plate and the adapter surface.*

- The plate can be installed to allow the cable to exit from left, right, up, or down.
- Cut out the rubber gasket at the point from which you wish the cable to exit.



### Transceiver Adapter Assy.



Connector	Connection Location
A	Not Used
B	Not Used
C	External PTT / Headset
D	Control Head

## INSTALLING THE SPEAKER PLUG STRAIN RELIEF PLATE\*

1. Remove the two screws associated with the DSUB-25 Accessory Connector, which is installed on the back of the transceiver.
2. Locate the Speaker Plug Strain Relief Plate, and secure the Speaker Plug using the two supplied cable ties, per the illustration below.
3. Route and secure the speaker cable into its final layout, then insert the Speaker Plug (affixed to the strain Relief Plate) into the transceiver's EXT SPKR jack.
4. Secure the Speaker Plug Strain Relief Plate to the DSUB-25 Accessory Connector's mounting posts, using the two screws removed in step 1.

\*: The Speaker Plug Strain Relief Plate cannot be used on the **VX-6000**.

